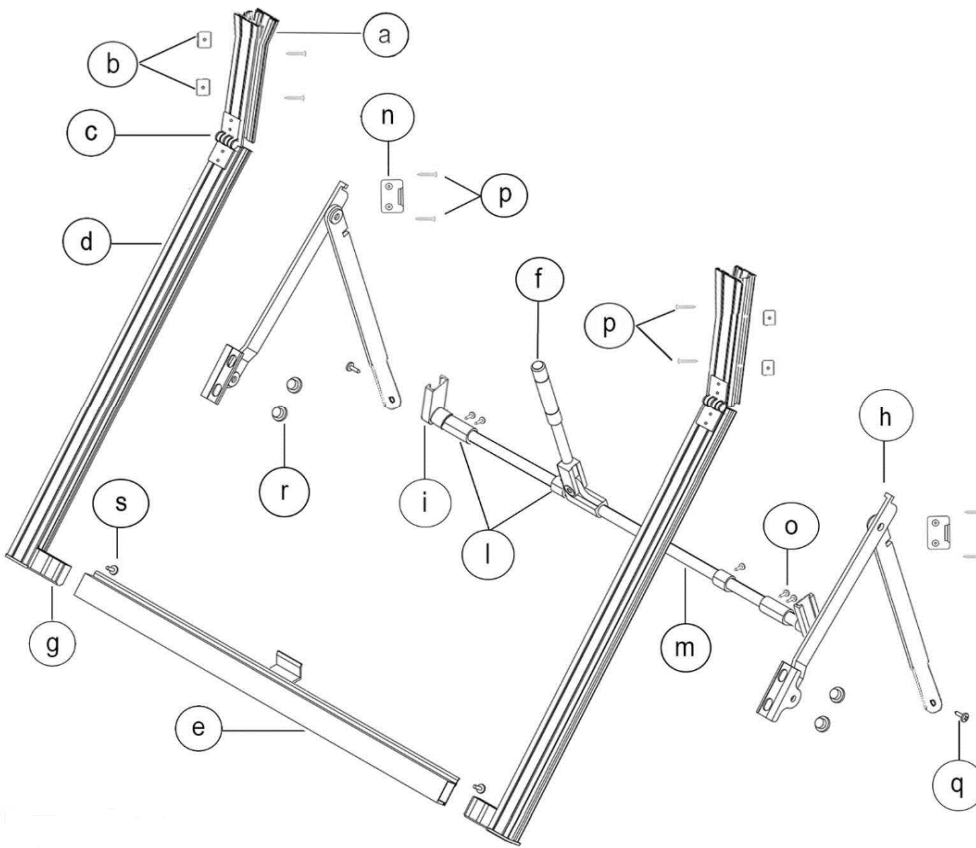
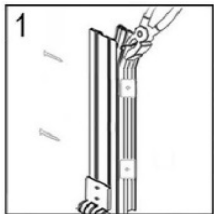


INSTALLATION INSTRUCTIONS CENTRAL LEVER "SPOCAL" and "SPOCAL LIGHT" PROJECTION FRAMES

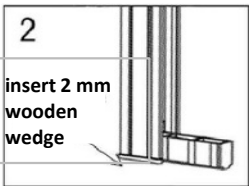


a	Fixed superior guide
b	Anti-rubbing nylon axle box
c	Hinges
d	Mobile guide
e	Crossbar
f	Handle
g	Nylon inner stopper
h	Arms LC
i	Nylon bushing
l	Eyelet
m	Rod
n	Nylon rest arms LC

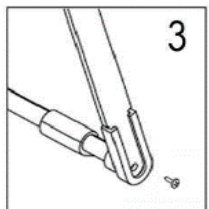
SCREW KIT	
o	<p>N°6 Screws 3,9x25 T.C.</p>
p	<p>N°8 Screws 3,9x25 T.G.S.</p>
q	<p>N°2 Screws 5,5x16 T.C.</p>
r	<p>N°4 Aluminum screws</p>
s	<p>N°2 Screws 3,9x13 T.C.</p>



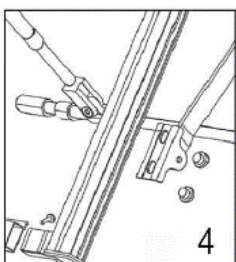
1. Place the anti-rubbing axle-boxes (**b**) over the two holes in the fixed guides (**a**). Split the upper part of the guides to make the easy entry of the rolling shutter.



2. Place the guides (**a+d**) into the window opening and insert 2 mm wooden wedge height under them to avoid the projection frame rubbing on the window sill after installation. Fix the guides (**a**) to the wall using the 3,9x25 T.G.S (**p**) screws.



3. Insert the arms (**h**) into the nylon bushings (**i**) and fix them to the rod with 5.5x16 T.C. (**q**) screws.



4. Join the crossbar (**e**) to the guides (**d**) through the nylon inner stoppers (**g**) and fix them with 3.9x13 T.C. (**s**) screws.

Fix the arm (**h**) to the mobile guides (**d**) using the aluminum screws (**r**).

5. Fix the eyelets (**l**) on the window sill with the screws 3.9x25 T.C. (**o**).

6. Install the nylon rest (**n**) on the wall where the arms lean when in closed position. Use the screws 3.9x25 T.G.S. (**p**).

